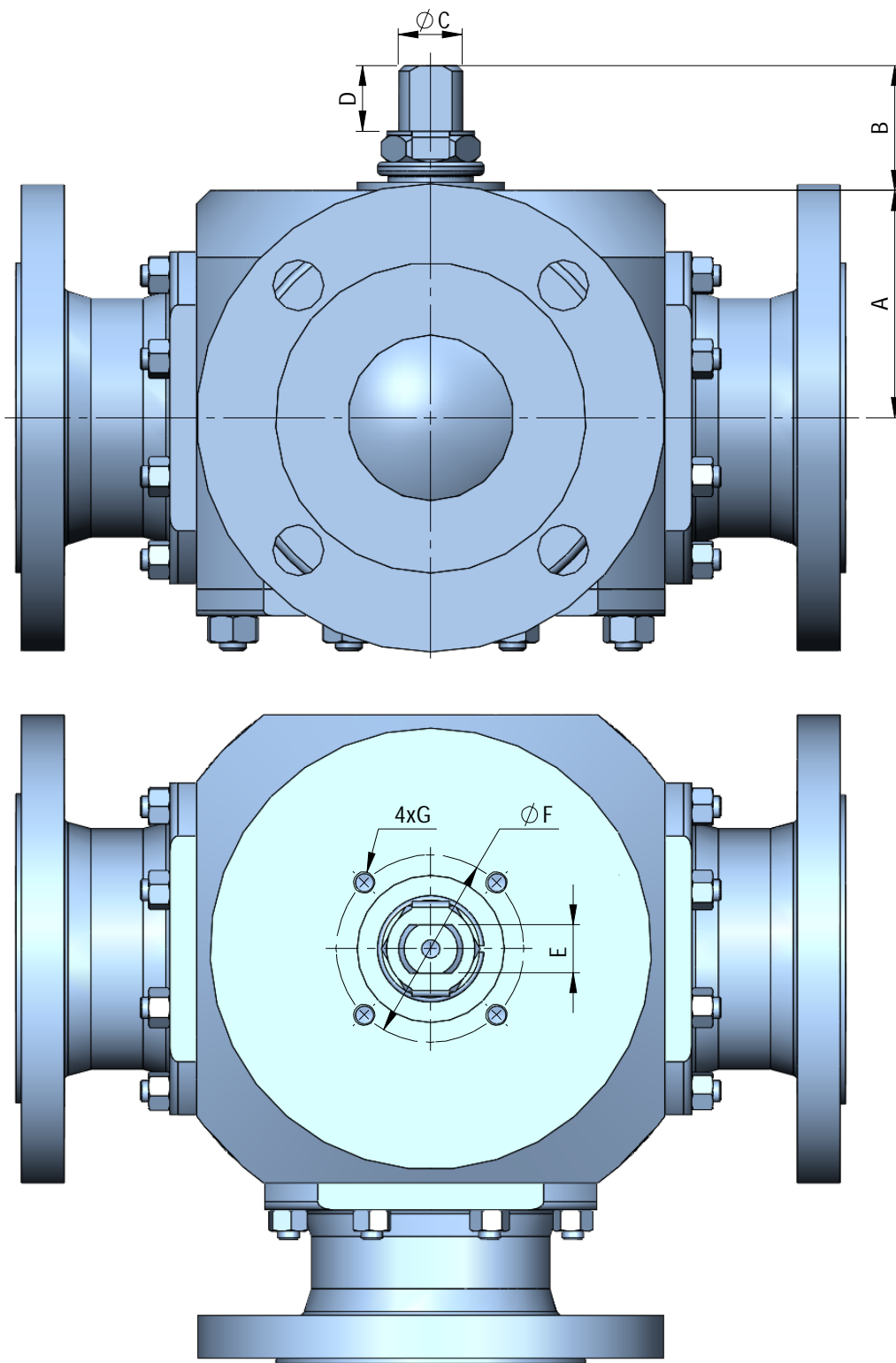


- Threaded Ends
- Butt weld Ends
- Socket weld Ends
- Flanged Ends

ST B002

ISO 5211 FLANGE AND STEM DIMENSIONS



DN		DIMENSIONS								ISO 5211
mm	Pol.	BALL PORT	A	B	C	D	E	F	G	
65	2½"	62.0	85	47	24	25	18	70	M8	F07
80	3"	75.0	103	57	30	32	22	102	M10	F10
100	4"	98.0	126	57	30	32	22	102	M10	F10